

TECHNICAL FORM HIT SHOW 2022

EHHIBITING RATES FORM



12-14 FEBRUARY 2022

EXHIBITING RATES PER SQ.M - BARE AREA ⁽¹⁾

STANDARD RATES	€ 130,00
EARLYBIRD RATES 30% discount on bare area for confirmation within 31 st OCTOBER 2021	€ 91,00

EXHIBITING RATES PER SQ.M - TURNKEY AREA ⁽¹⁾

	Type	
STANDARD RATES	Shop	€ 160,00
	Standard	€ 190,00
	High	€ 210,00
EARLYBIRD RATES 30% discount on bare area for confirmation within 31 st OCTOBER 2021	Shop	€ 121,00
	Standard	€ 151,00
	High	€ 171,00

Other items ⁽²⁾:

Registration fee (compulsory for each exhibitor) covers insurance, exhibitors' badges according to exhibit area, listing in the official catalogue, 1 parking permit, Wi-Fi connection	€ 300,00
Preferential Area Surcharge ⁽³⁾	+ 15% on total bare area rate
Hosted companies fee (in case of more companies inside one booth)	€ 500,00

VAT must be added to these figures, if due.

- (1) **Bare area** rate includes area and 1 kw supply each 16 sq.m. The registration fee and any other item required will be charged.
Turnkey rate includes also booth fitting solution, carpet, power supply.
- (2) Further details and costs of participation are indicated in the General Rules and Regulations of Exhibition.
- (3) **Preferential Area Surcharge**: supplementary rate for areas looking on to entrance corridors and/or corridors connecting Pavilions.
It is calculated only on total bare area cost even if the booth is a turnkey formula.

TECHNICAL FORM HIT SHOW 2022

ADVERTISING RATES FORM



LET YOURSELF BE TEMPTED!

Advertising offers for HIT SHOW 2022

Dear Company _____,

we have pleasure to draw your attention to some advertising opportunities to promote your visibility as exhibitor.

LARGE ADVERTISING SPACES AT THE EXPO CENTRE

DESCRIPTION	PRICE LIST
<input type="checkbox"/> PRESENCE IN ONE VIDEO SYSTEM	€ 2.000
<input type="checkbox"/> PRESENCE IN ALL VIDEO SYSTEMS	€ 4.000
<input type="checkbox"/> PRESENCE IN WEBSITE BANNER ALL YEAR LONG	€ 500
<input type="checkbox"/> PRESENCE IN HOME PAGE BANNER IN ROTATION	€ 1.500
<input type="checkbox"/> PRESENCE IN A BACKLIT PANEL	€ 1.500
<input type="checkbox"/> PRESENCE IN A FRAME	€ 1.500
<input type="checkbox"/> DEDICATED NEWSLETTER	€ 3.000
<input type="checkbox"/> BANNER ON NEWSLETTER	€ 500

Italian VAT must be added to these figures, if due

HIT SHOW Team are available to examine any other requests and can also design new solutions tailored to your visibility needs.

For further information please contact: see info square in the next page and on www.hit-show.com.

Date

Stamp and signature of contracting firm's legal representative

TECHNICAL FORM HIT SHOW 2021

GENERAL INFORMATION AND DEADLINES



12-14 FEBRUARY 2022

IMPORTANT DEADLINES:

BOOKING SPACE AND TECHNICAL DATES	REGISTRATION PROCEDURE	Fill in and send the application form to email expo@iegexpo.it in pdf format. HIT SHOW Team will contact you with a customized proposal.
	AREA ALLOCATION STARTING	1st August 2021
	PARTICIPATION CONFIRM	Exhibiting proposal, signed for acceptance, must be sent via email to expo@iegexpo.it in pdf format and send the original copy to ITALIAN EXHIBITION GROUP SPA Via dell'Oreficeria, 16 – 36100 Vicenza ITALY. Deposit must be paid for the sum and to the bank account as indicated in the same proposal.
	BALANCE DEADLINE	24th JANUARY 2022 Deadline within which the total balance payment related to the exhibiting area allocated (Chap. II Art.3 of the General Regulation) has to be sent to. Note: after that date any client who will sign a proposal has to pay the balance immediately.
	BOOTH PROJECT APPROVAL	24th JANUARY 2022 BARE AREAS: cut-off date for the presentation of stand fitting & layout design to upload in the section "stand projects" in the reserved area
	SERVICES ORDERING	12th JANUARY 2022 Cut-off date for the presentation of the forms for ordering services (See online reserved area on the website)

WITHDRAWAL RULES	20th December 2021	In case of withdrawal before this date the penalty will be equal to a sum corresponding to the registration fee (€ 300,00 + vat) specified in the participation proposal countersigned for acceptance.
	24th January 2022	In case of withdrawal before this date the penalty will be equal to a sum corresponding to the advance payment (30% of the total amount) specified in the participation proposal countersigned for acceptance.
	25th January 2022	In case of withdrawal after this date, the penalty will be equal to a sum corresponding to the entire amount (100%) as quantified in the participation proposal countersigned for acceptance.

FOR FURTHER INFORMATION:

	SECTOR	TEAM	PHONE	E-MAIL
Info for exhibitors, exhibiting space sale , advertising services sale , exhibition general information	Sales Account & Coordinator	Stefano De Rigo	+39 (0)444 969 962 +39 335 5750166	stefano.derigo@iegexpo.it
	Sales Account	Valentina Dario	+39 (0)444 969841 +39 334 2742548	valentina.dario@iegexpo.it
	Sales Account	Elena Spadari	+39 333 2819434	elena.spadari@hit-show.it
	Events Account	Chiara Fizzotti	+39 (0)444 969968	chiara.fizzotti@iegexpo.it
Technical assistance: logistics and planning fitting days, dismantling days, access procedure, stand projects approval	Office: Exhibition Design / Fitting	Giacomo Bernardi	+39 (0)444 969 853	giacomo.bernardi@iegexpo.it
	Office: HSE & Quality / Security	Mattia Gasparini	+39 (0)444 969 818	mattia.gasparini@iegexpo.it
	Office: Logistics & Mobility / Logistic	Alberto Fioretti Ivan Giachin	+39 (0)444 969 911 +39 (0)444 969 929	alberto.fioretti@iegexpo.it ivan.giachin@iegexpo.it
Accounting services: deposit payment, balance, invoices, request of invoices	Accounting Department			customers@iegexpo.it
Fill in forms assistance: signing up, changes at the company details	Back Office	Alessandra Ciavatti	+39 (0) 541 744 639	alessandra.ciavatti@iegexpo.it

WARNING! IMPORTANT INFORMATION FOR EXHIBITORS

International Fairs Directory

For some time now, **International Fairs Directory**, a company registered with branches in other countries, has been sending forms to exhibitor firms asking for any modifications to their company data for publication of advertisements in the Expo-Guide magazine.

On completing and signing the forms, containing the names of Italian exhibition grounds and event trademarks, the firm is then obliged to pay a sum per year.

The above-mentioned company **has NOT and has NEVER BEEN AUTHORISED** to use the name Italian Exhibition Group SpA or our event trademarks. If you should receive forms or proposals from International Fairs Directory, we strongly recommend that you read the terms VERY CAREFULLY before signing.

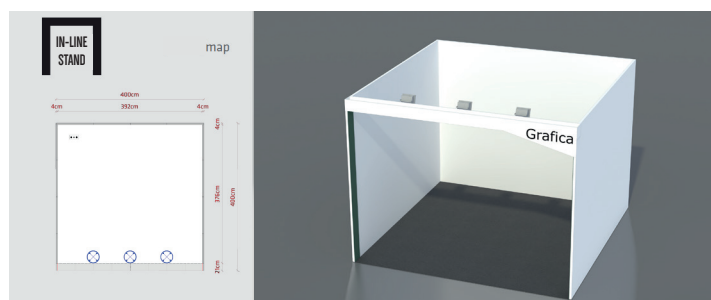
FITTED BOOTH AREAS FORM - 4X4 SIZES

For any further information visit:
www.hit-show.com

Italian Exhibition Group S.p.A. offers fitted booth areas in compliance with fire Safety measures.

N.B. Features and dimensions are purely indicative

In-line Stand - "STANDARD" FITTING 4x4

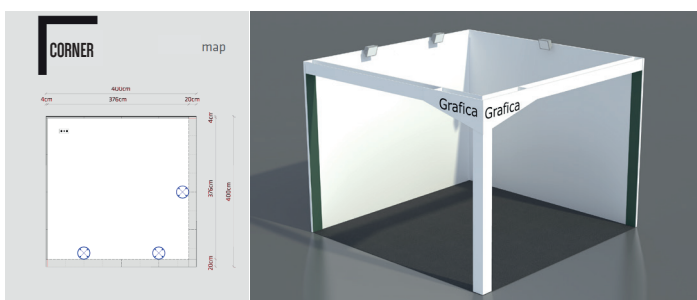


IN-LINE STAND STANDARD FITTING – Features:

- flammability class I beige carpet with protective nylon covering
- white honeycomb sandwich panels 250/300cm high with green stripes
- white wooden fascia board 8cm thick 70cm high
- 3x 150 W halogen spotlights; 1x 500W power strip
- trapezoid corporate logo on fascia board; digital forex print

60 €/sqm

Corner Stand - "STANDARD" FITTING 4x4

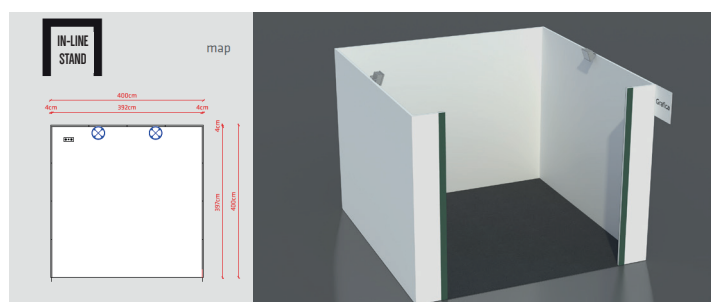


CORNER STAND STANDARD FITTING – Features:

- flammability class I beige carpet with protective nylon covering
- white honeycomb sandwich panels 250/300cm high with green stripes
- white wooden fascia board 8cm thick 70cm high with side 20x20cm column
- 3x 150 W halogen spotlights; 1x 500W power strip
- trapezoid corporate logo on fascia board; digital forex print

60 €/sqm

In-line Stand - "SHOP" FITTING 4x4

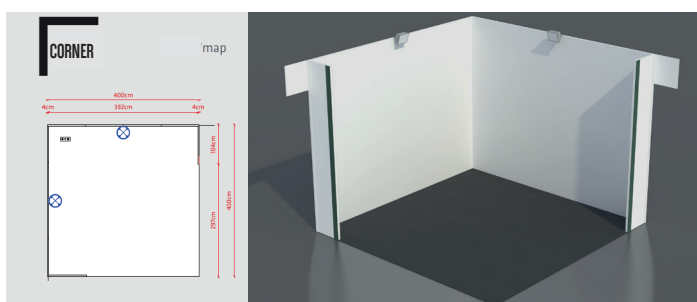


IN-LINE STAND SHOP FITTING – Features:

- flammability class I beige carpet with protective nylon covering
- white honeycomb sandwich panels 250/300cm high with green stripes
- 2x 150 W halogen spotlights; 1x 500W power strip
- flag-shaped corporate logo; digital forex print

40 €/sqm

Corner Stand - "SHOP" FITTING 4x4



CORNER STAND SHOP FITTING – Features:

- flammability class I beige carpet with protective nylon covering
- white honeycomb sandwich panels 250/300cm high with green stripes
- 2x 150 W halogen spotlights; 1x 500W power strip
- flag-shaped corporate logo; digital forex print

40 €/sqm

GENERAL TERMS OF SUPPLY

The Exhibitor, from taking over the material, is responsible for the proper use of the same, meaning this term the normal state of use, until the return, with the commitment to cover any and all costs deriving from and/or consequent to the improper and/or incorrect use of the rented materials until the complete reintegration of the same in the case are returned.